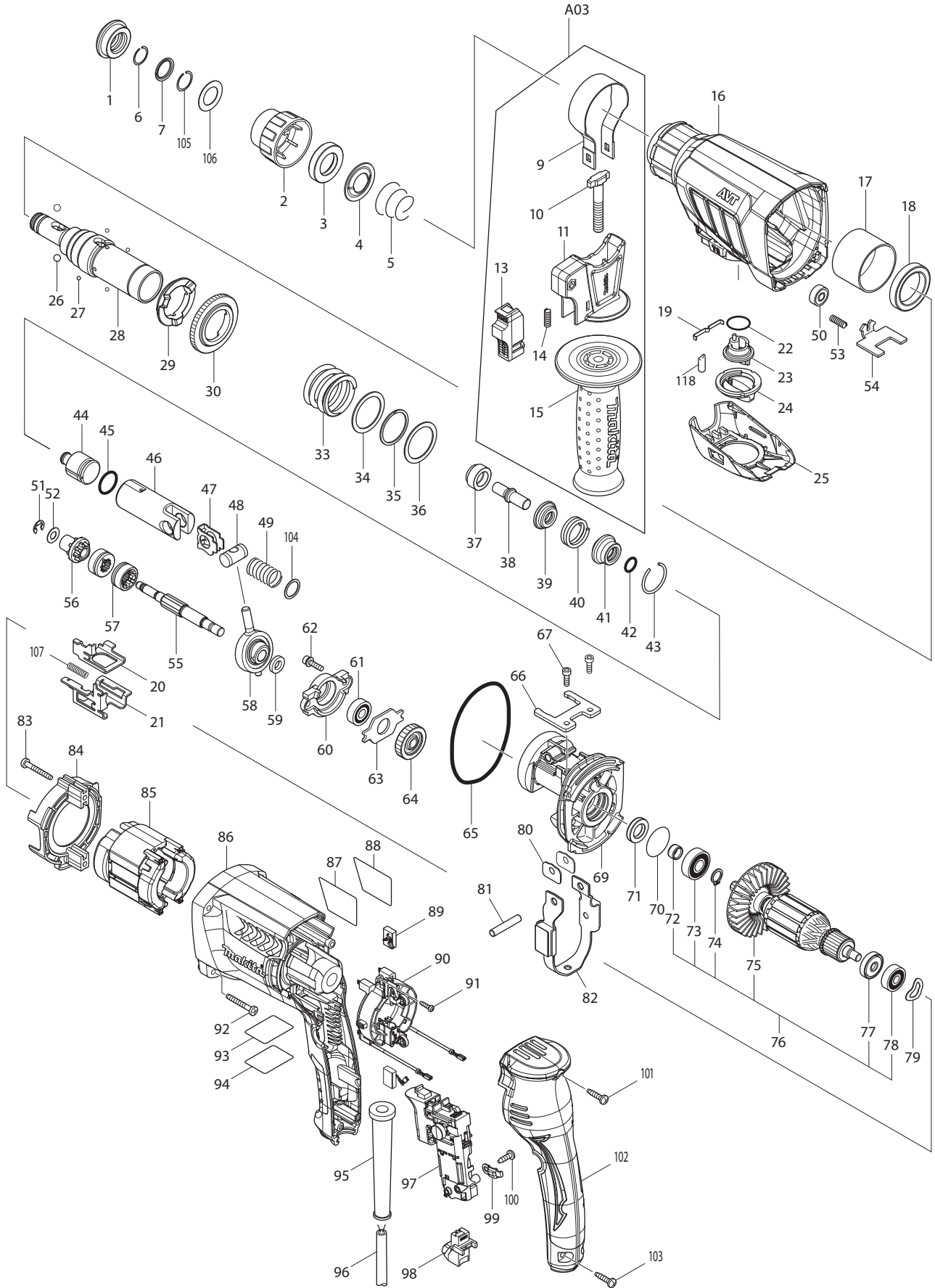




08 - 2015

HR2631F

1" Rotary Hammer (SDS Plus)



Item No.	Type	Sub	Part No.	Description	Qty	Unit
1			286288-8	CAP 35	1	PC.
2			455393-4	CHUCK COVER	1	PC.
3			325813-1	RING 21	1	PC.
4			346177-0	GUIDE WASHER	1	PC.
5			233916-6	CONICAL COMP. SPRING 21-29	1	PC.
6			233989-9	RING SPRING 14	1	PC.
7			346834-0	WASHER 16	1	PC.
9			346181-9	GRIP SPRING 50	1	PC.
10			266349-0	SQUARE BOLT M8X50	1	PC.
11			451539-0	GRIP BASE	1	PC.
13			141765-6	LOCK BUTTON COMPLETE	1	PC.
14			233360-7	COMPRESSION SPRING 4	1	PC.
15			154935-8	GRIP 36 COMPLETE	1	PC.
16			142970-8	GEAR HOUSING COMPLETE	1	PC.
		INC.	213636-8	OIL SEAL 25	1	PC.
17			331890-3	CUP SLEEVE	1	PC.
18			211294-4	BALL BEARING 6806LLU	1	PC.
19			232286-0	LEAF SPRING	1	PC.
20			346833-2	CHANGE PLATE B	1	PC.
21			346832-4	CHANGE PLATE A	1	PC.
22			213278-8	O RING 17	1	PC.
23			455392-6	CHANGE LEVER	1	PC.
24			455394-2	CHANGE LEVER CAP	1	PC.
25			455391-8	CHANGE LEVER COVER	1	PC.
26			216022-2	STEEL BALL 7.0	2	PC.
27			216019-1	STEEL BALL 3	4	PC.
28			142972-4	TOOL HOLDER COMPLETE	1	PC.
		INC.	213344-1	OIL SEAL 9	1	PC.
29			332139-4	DRIVING FLANGE	1	PC.
30			227360-7	SPUR GEAR 51	1	PC.
33			234148-8	COMPRESSION SPRING 31	1	PC.
34			267153-0	FLAT WASHER 30	1	PC.
35			257932-4	SPIRO LOCK WASHER 30	1	PC.
36			267153-0	FLAT WASHER 30	1	PC.
37			325783-4	SLEEVE 9B	1	PC.
38			325789-2	IMPACT BOLT A	1	PC.
39			325792-3	WASHER 10	1	PC.
40			234149-6	COMPRESSION SPRING 20	1	PC.
41			325793-1	O-RING CASE B	1	PC.
42			213073-6	O RING 9	1	PC.
43			233979-2	RING SPRING 28	1	PC.
44			325784-2	STRIKER	1	PC.
45			213258-4	O RING 17.5	1	PC.
46			310345-1	PISTON CYLINDER	1	PC.
47			346036-8	GUIDE PLATE	1	PC.
48			324215-8	PISTON JOINT	1	PC.
49			234098-7	COMPRESSION SPRING 14	1	PC.
50			210028-2	BALL BEARING 606ZZ	1	PC.
51			257336-0	STOP RING EXT U-6	1	PC.
52			253186-1	FLAT WASHER 7	1	PC.
53			233360-7	COMPRESSION SPRING 4	1	PC.
54			346831-6	LOCK PLATE	1	PC.
55			326448-1	CAM SHAFT	1	PC.
56			227359-2	SPUR GEAR 10	1	PC.
57			332125-5	CLUTCH CAM	2	PC.
58			219023-9	SWASH BEARING 10	1	PC.
59			257321-3	RING 8	1	PC.

Item No.	Type	Sub	Part No.	Description	Qty	Unit
60			310344-3	BEARING BOX	1	PC.
61			211032-4	BALL BEARING 608ZZ	1	PC.
62			266437-3	HEX. SOCKET HEAD BOLT M4X16	2	PC.
63			285735-6	BEARING RETAINER	1	PC.
64			227719-8	HELICAL GEAR 26	1	PC.
65			213728-3	O-RING 68	1	PC.
66			346222-1	PLATE	1	PC.
67			265353-6	HEX. SOCKET HEAD BOLT M4X12	2	PC.
69			141573-5	INNER HOUSING COMPLETE	1	PC.
		INC.	443153-6	FELT	1	PC.
70			213407-3	O RING 26	1	PC.
71			213678-2	OIL SEAL 12	1	PC.
72			262569-4	SLEEVE 9	1	PC.
73			211097-6	BALL BEARING 6000LLB	1	PC.
74			961006-2	RETAINING RING S-10	1	PC.
75			240121-8	FAN 65	1	PC.
76			515356-3	ARMATURE ASSEMBLY 115V	1	PC.
		INC.		Item No. 72-75,77,78		
77			681652-2	INSULATION WASHER	1	PC.
78			210023-2	BALL BEARING 627DDW	1	PC.
79			267804-5	WAVE WASHER 15	1	PC.
80			346180-1	WEIGHT HOLDER GUIDE	2	PC.
81			256246-8	PIN 6	1	PC.
82			165593-5	COUNTER WEIGHT	1	PC.
83			266361-0	TAPPING SCREW 4X30	2	PC.
84			451527-7	BAFFLE PLATE	1	PC.
85			626631-3	FIELD 115V	1	PC.
86			451535-8	MOTOR HOUSING	1	PC.
87			850L56-3	NAME PLATE F/HR2631F	1	PC.
88			819390-8	CLEAR LABEL	1	PC.
89			195001-2	CARBON BRUSH SET CB-325 2PC/SET W/ORIGIN	1	SET
90			638655-7	BRUSH HOLDER UNIT	1	PC.
91			266556-5	TAPPING SCREW 3X12	2	PC.
92			266361-0	TAPPING SCREW 4X30	4	PC.
93			850L61-0	SERIAL NO. LABEL F/HR2631F	1	PC.
94			819389-3	CLEAR LABEL	1	PC.
95			682559-5	CORD GUARD 8	1	PC.
96			664895-1	CORD W/PLUG 2P-18-4.0M,SJ	1	PC.
97			650626-4	SWITCH TG853TB-1	1	PC.
98			631936-8	LIGHT CIRCUIT	1	PC.
99			687681-3	STRAIN RELIEF	1	PC.
100			266385-6	TAPPING SCREW 4X14	1	PC.
101			266326-2	TAPPING SCREW 4X18	1	PC.
102			451528-5	HANDLE COVER	1	PC.
103			266326-2	TAPPING SCREW 4X18	2	PC.
104			267447-3	FLAT WASHER 14	1	PC.
105			233992-0	RING SPRING 15	1	PC.
106			267114-0	FLAT WASHER 17	1	PC.
107			234343-0	COMPRESSION SPRING 5	1	PC.
108			263005-3	RUBBER PIN 6	1	PC.
C01			877139-2	CARTON F/HR2631F	1	
ACCESSORIES				- Visit www.makita.ca for more accessories information -		
A01			331886-4	DEPTH GAUGE	1	PC.
A02			824913-9	PLASTIC CARRYING CASE	1	PC.
		INC.	162302-3	LATCH	2	PC.
A03			122878-2	GRIP 36 ASSEMBLY	1	PC.
		INC.		Item No. 9-11,13-15		

Item No.	Type	Sub	Part No.	Description	Qty	Unit
A04			122574-2	1/2" DRILL CHUCK ASS'Y(W/SDS-PLUS CHUCK ADAPTOR)	1	PC.
A05			192877-8	1/2" DRILL CHUCK	1	PC.
A06		1	192664-5	1/2" KEYLESS DRILL CHUCK	1	PC.
		2	194254-0	1/2" KEYLESS DRILL CHUCK SET	1	PC.
A07			192892-2	1/2" KEYLESS DRILL CHUCK	1	PC.
A09			D-14093	CHUCK ADAPTER F/SLIDE CHUCK(SDS-PLUS)	1	PC.
A10			763432-9	CHUCK KEY S13	1	PC.
A11			191686-2	SAFETY GOGGLE	1	PC.
A12			421342-3	DUST CUP 5	1	PC.
			421664-1	DUST CUP 9	1	PC.
A13			195048-6	DUST CUP SET	1	PC.
	INC.		213310-8	O RING 20	1	PC.
	INC.		424268-8	CAP 39	1	PC.
	INC.		424269-6	DUST CAP	1	PC.
	INC.		451541-3	BELLOWS	1	PC.
	INC.		451542-1	ATTACHMENT	1	PC.
	INC.		451543-9	JOINT	1	PC.
A14			A-30106	SCRAPER ASSY(SDS-PLUS)	1	PC.
	INC.		343411-9	CUTTER	1	PC.
A15			421755-8	WATERPROOF COVER	1	PC.
A16			765009-6	BLOW-OUT BULB 64	1	PC.
A17			194683-7	GREASE VESSEL SET, 100CC, FOR BIT, PUMP TYPE	1	PC.
A18			196967-9	HAMMER SERVICE KIT	1	PC.
	INC.	TP1	194074-2	CARBON BRUSH CB-325 2PC/SET	1	SET
	INC.	TP2	195001-2	CARBON BRUSH CB-325 2PC/SET	1	SET
	INC.		195127-0	OIL VESSEL SET	2	PC.
	INC.		213073-6	O RING 9	1	PC.
	INC.		213258-4	O RING17.5	1	PC.
	INC.		216022-2	STEEL BALL 7.0	2	PC.
	INC.		233979-2	RING SPRING28	1	PC.
	INC.		233989-9	RING SPRING14	1	PC.
	INC.		233992-0	RING SPRING15	1	PC.
	INC.		286288-8	CAP35	1	PC.